

# SUBMITTAL DATA SHEET

**SPLIT-SYSTEM CONDENSING UNITS**  
**30-50 TONS**  
**MODELS: YJT30 thru T50**



JOB NAME:		LOCATION:		
PURCHASER:		ORDER NO:		
ENGINEER:				
SUBMITTED TO:	FOR:	REF:	APPROVAL:	CONSTRUCTION:
SUBMITTED BY:		DATE:		
UNIT DESIGNATION:		SCHEDULE NO.	MODEL NO.	

**COOLING PERFORMANCE**

TOTAL CAPACITY----- \_\_\_\_\_ MBH  
 OUTDOOR DESIGN TMP. .... \_\_\_\_\_ °F  
 SUCTION PRESSURE AT SATURATION ----- \_\_\_\_\_ PSIG  
 SUCTION TEMPERATURE AT SATURATION ----- \_\_\_\_\_ °F

**ELECTRICAL DATA**

POWER SUPPLY----- \_\_\_\_/\_\_\_\_/\_\_\_\_  
 TOTAL UNIT AMPACITY ----- \_\_\_\_\_ AMPS  
 POWER INPUT REQ.----- \_\_\_\_\_ KW  
 MINIMUM WIRE SIZE----- \_\_\_\_\_ AWG  
 (COPPER CONDUCTORS)  
 MAXIMUM FUSE SIZE ----- \_\_\_\_\_ AMPS  
 (DUAL ELEMENT)

**UNIT WEIGHT**

TOTAL OPERATING WEIGHT ----- \_\_\_\_\_ LBS

(See Note)

**FEATURES**

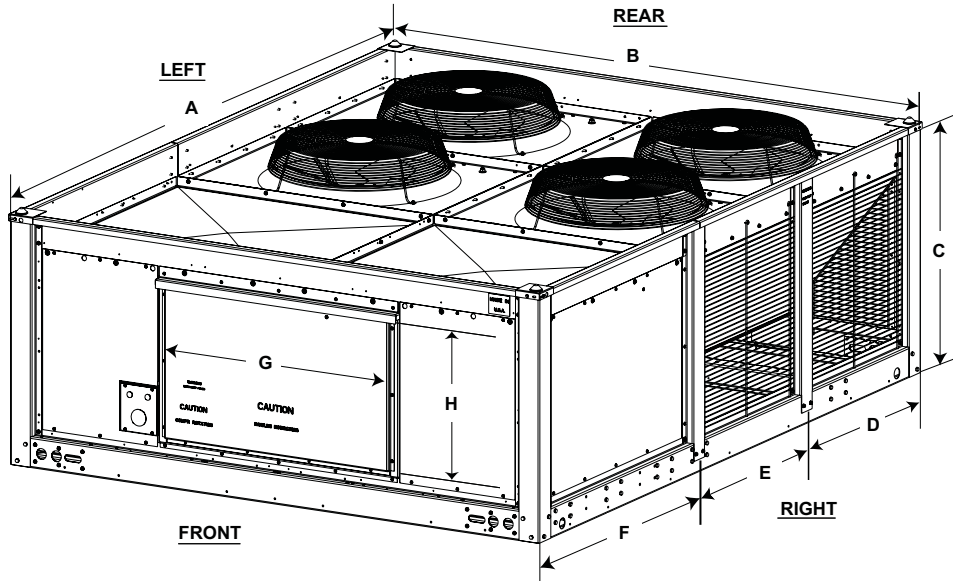
- Simplicity SE® CONTROLS
- FACTORY INSTALLED DISCONNECT OPTION
- WEATHERIZED CASING
- PROPELLER-TYPE CONDENSER FANS
- INHERENTLY PROTECTED FAN MOTORS
- LOW-VOLTAGE CONTROLS
- TANDEM SCROLL COMPRESSORS
- CRANKCASE HEATER
- COPPER TUBE/ALUMINUM FIN COILS
- HIGH AND LOW PRESSURE CUT-OUTS
- BACKSEATING SUCTION AND LIQUID LINE SERVICE VALVES
- V-COIL DESIGN
- TWO INDEPENDENT REFRIGERATION CIRCUITS
- TECHNICOAT COIL OPTION
- FOUR STAGE CAPACITY CONTROL
- PROVISIONS FOR HOT GAS BYPASS
- PUMPOUT ON START-UP
- LOW AMBIENT TO 40°F - VFD LOW AMBIENT AVAILABLE TO 0°F
- COMPLETELY FACTORY PIPED AND WIRED
- SHIPPED WITH HOLDING CHARGE OF R-410A
- CSA APPROVAL
- ONE-YEAR LIMITED PARTS WARRANTY ON COMPLETE UNIT
- LIQUID LINE DRIERS (SUPPLIED FOR FIELD INSTALLATION)

**FIELD-INSTALLED ACCESSORIES**

- LOW AMBIENT VFD KIT -----
- HOT GAS BYPASS ACCESSORY -----
- PHASE MONITOR ACCESSORY -----
- THERMOSTAT -----

**MATCHING AIR SIDE EQUIPMENT DATA**

MODEL NUMBER ----- \_\_\_\_\_  
 SUBMITTAL FORM NUMBER ----- \_\_\_\_\_



**UNIT DIMENSIONS (INCHES)**

**CLEARANCES (INCHES)**

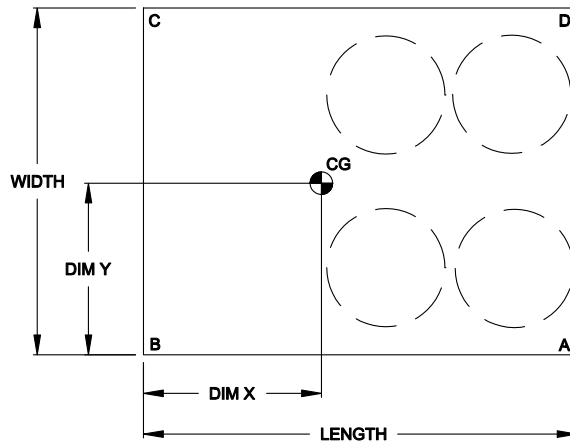
MODEL	A	B	C	D	E	F	G	H
YJT30	128.5	88.5	37.5	41.8	40.0	46.1	37.1	23.6
YJT40	128.5	88.5	57.7	41.8	40.0	46.1	37.1	23.6
YJT50	128.5	88.5	57.7	41.8	40.0	46.1	37.1	23.6

Overhead (Top)	120"
Front (Access Cover)	36"
Rear (Piping Connections)	24"
Left Side	30"
Right Side	30"

**WEIGHT DISTRIBUTION**

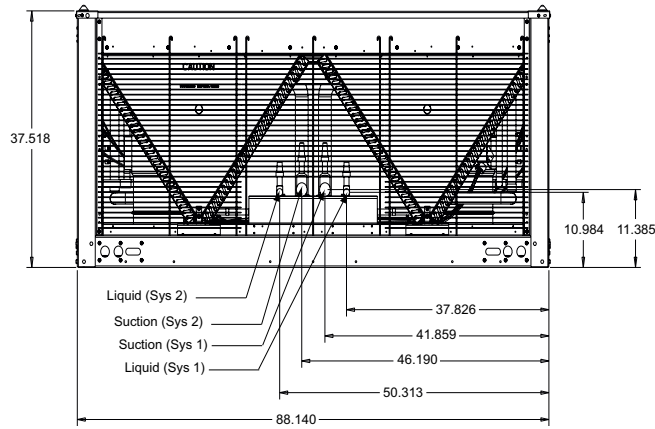
**CORNER WEIGHTS & CENTER OF GRAVITY**

Unit Model	Unit Weight (Lbs.)		Unit Dimensions (Inches)		A	B	C	D	Dim X	Dim Y	Weight A to B	Weight D to C
	Shipping	Operation	Length	Width								
YJT30	1875	1895	128.5	88.5	404	537	533	401	55.2	44.1	934	941
YJT40	2315	2347	128.5	88.5	486	675	671	483	53.8	44.1	1154	1161
YJT50	2345	2381	128.5	88.5	486	693	685	481	53.0	44.0	1166	1179

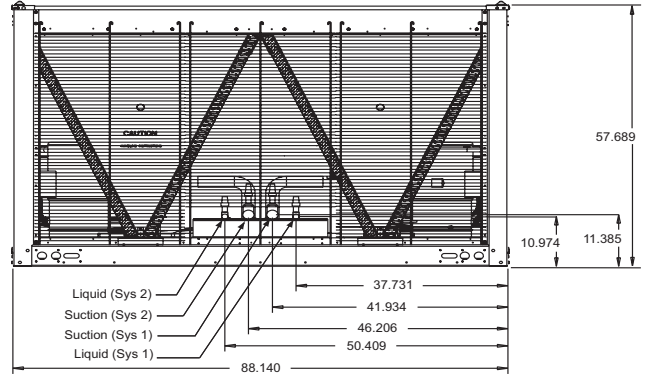


**REFRIGERANT PIPING CONNECTIONS**

**30 TON (DUAL CIRCUIT 4-PIPE)**



**40 & 50 TON (DUAL CIRCUIT 4-PIPE)**

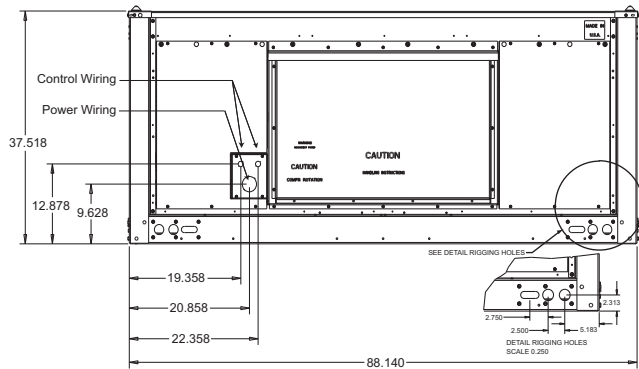


**PIPING AND ELECTRICAL CONNECTION SIZES INCHES (30/40/50T)**

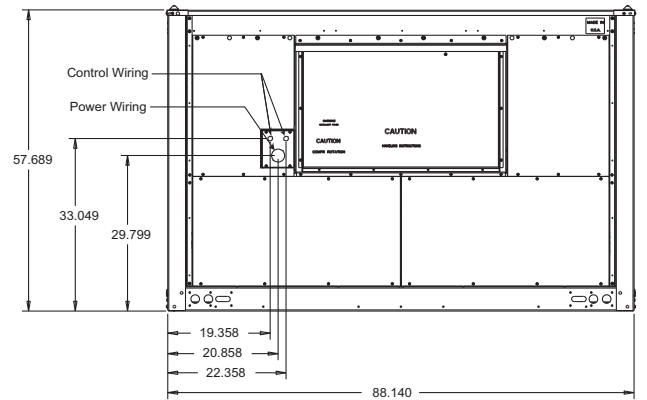
CONNECTION ENTRY		SIZE
A	SUCTION LINE SYS #1	1-5/8 OD
B	LIQUID LINE SYS #1	7/8 OD
C	SUCTION LINE SYS #2	1-5/8 OD
D	LIQUID LINE SYS #2	7/8 OD
E	POWER WIRING KNOCKOUT	SEE ELECTRICAL POWER KNOCKOUT TABLE BELOW
F	CONTROL WIRING	7/8 HOLE

**POWER AND CONTROL WIRING CONNECTIONS**

**30 TON POWER AND CONTROL WIRING CONNECTIONS**



**40 & 50 TON POWER AND CONTROL CONNECTIONS**



CONNECTION ENTRY SIZES (INCHES)	30-40-50T/ 230V	30-40-50T/460- 575V
E	POWER WIRING	2-1/2"
		1-1/2"

# NOTES

**REFER TO TECHNICAL GUIDE FOR THE LIST OF STANDARD FEATURES**

**ATTACHED**  **NOT ATTACHED**

Subject to change without notice. Printed in U.S.A.  
Copyright © 2015 by Unitary Products Group. All rights reserved.

5123386-TSD-A-0515  
Supersedes: Nothing

---

**York International Corporation**  
**5005 York Drive**  
**Norman, OK 73069**