

SUBMITTAL DATA SHEET

SPLIT-SYSTEM EVAPORATOR BLOWERS

30, 40, & 50 TONS

MODELS: NJT30, T40 & T50 AIRHANDLER
PLUS MACZT50 EVAPORATOR COIL



JOB NAME:			LOCATION:		
PURCHASER:			ORDER NO:		
ENGINEER:					
SUBMITTED TO:		FOR:	REF:	APPROVAL:	CONSTRUCTION:
SUBMITTED BY:		DATE:			
UNIT DESIGNATION:			SCHEDULE NO.	MODEL NO.	

PRODUCT DATA

Cooling Performance

Total Capacity MBH
Sensible Capacity MBH
Evaporator Pressure at Saturation..... PSIG
Evaporator Temperature at Saturation..... °F
Total Supply Air..... CFM
Temp. of air Entering Evaporator Coil / °F DB/WB

Heating Performance

Refer to field-installed accessories on reverse side.

Supply Air Blower Performance

Total Supply Air..... CFM
Total Resistance External To Unit IWG
Blower Speed..... RPM
Blower Output Requirement.... BHP
Motor Rating HP
Power Input Requirement..... KW

Electrical Data

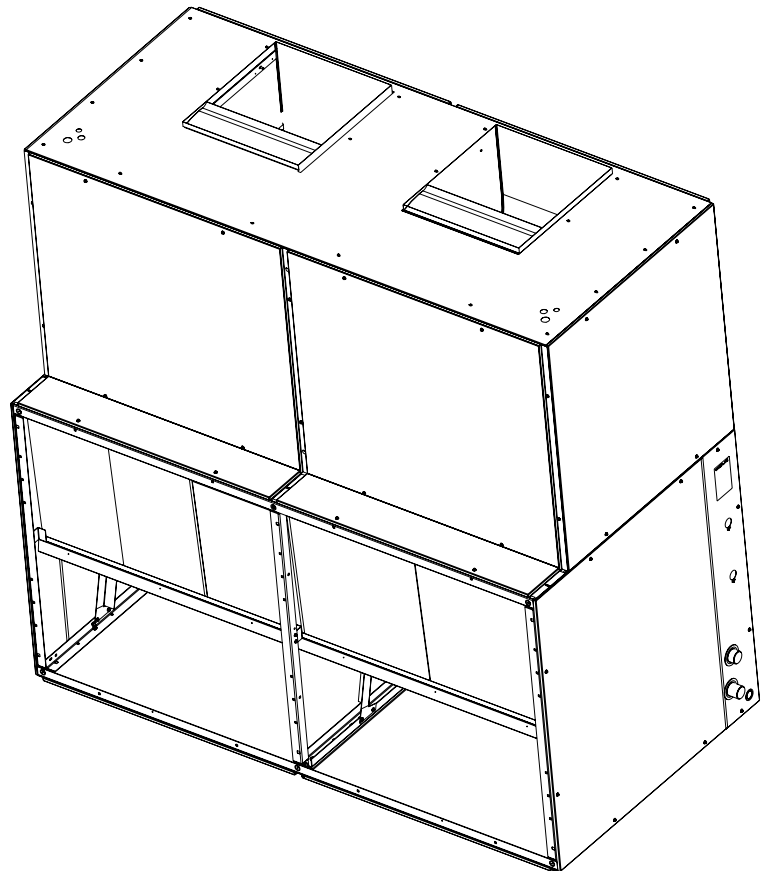
Power Supply..... / /
Total Unit Ampacity..... AMPS
Minimum Wire Size AWG (Copper Conductors)
Maximum Fuse Size Dual Element AMPS

Unit Weight

Total Operating Weight LBS (Including field-installed accessories)

FEATURES

- R-410A REFRIGERANT
- POWDER PAINT FOR DURABILITY
- PROVISIONS FOR HOT GAS BYPASS
- CSA APPROVAL
- HOT WATER HEATING COILS (FIELD INSTALLED)
- STEAM HEATING COILS (FIELD INSTALLED)
- FIELD INSTALLED SELECTABLE MOTOR AND DRIVE OPTIONS
- ADJUSTABLE TXV'S
- CAN BE APPLIED VERTICALLY OR HORIZONTALLY
- SINGLE POINT POWER CONNECTION
- ONE YEAR LIMITED PARTS WARRANTY ON COMPLETE UNIT
- DESIGNED TO OPERATE WITH COOLING ONLY UNITS

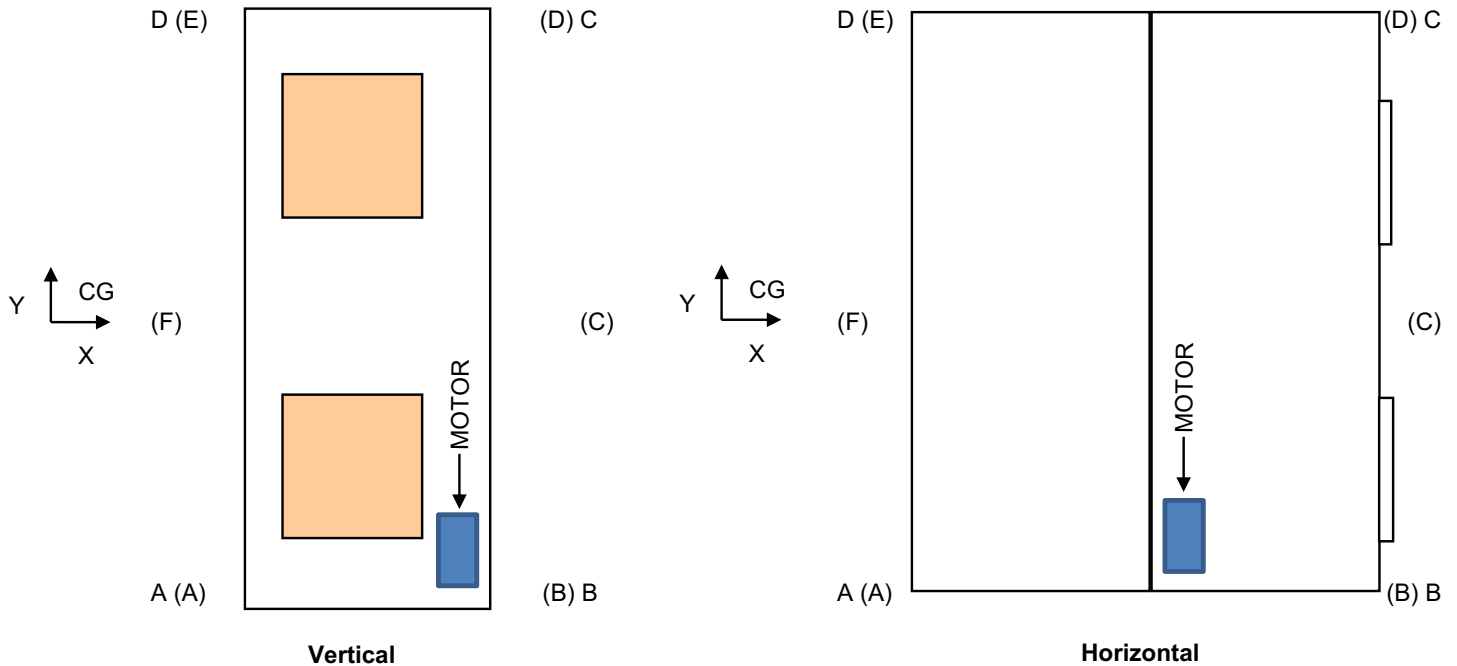


NJT50 AIRHANDLER & MACZ-50 EVAPORATOR COIL

Corner Weights & Center of Gravity NJ Units

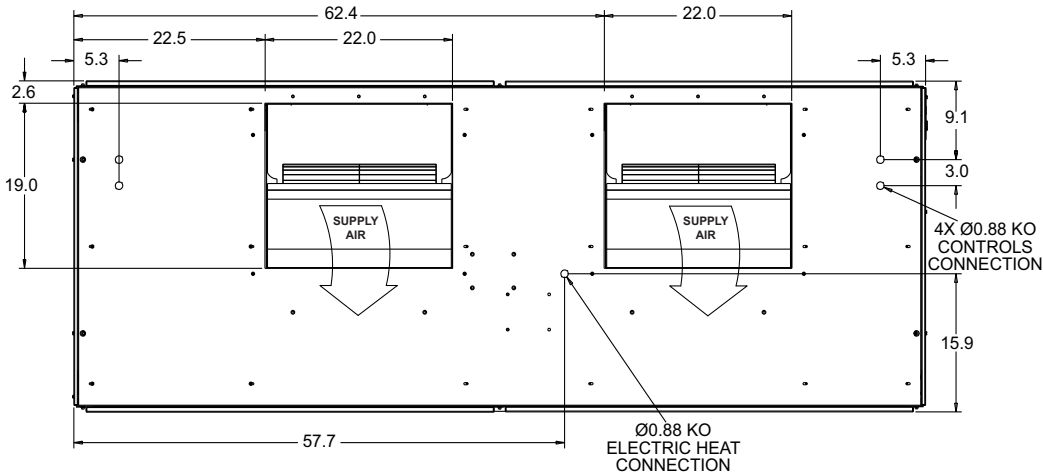
Model	Drive HP	Evaporator Section	Blower Section	Drive Section	Weight (lbs.)		Center of Gravity		4 Point Load Location (lbs.)				6 Point Load Location (lbs.)					
		Cabinet Wt (lb)	Cabinet Wt (lb)	Cabinet Wt (lb)	Shipping	Operating	CG X	CG Y	A	B	C	D	A	B	C	D	E	F
Vertical Airflow																		
NJT30	5.0	567	490	110	1122	1184	20.1	44.3	297	363	288	236	200	244	215	191	157	176
	7.5	567	490	134	1122	1208	20.3	44.0	301	376	295	236	202	252	222	197	158	178
	10	567	490	150	1122	1224	20.5	43.8	304	385	299	236	203	257	226	201	159	179
NJT40	7.5	654	527	141	1246	1348	24.6	45.1	334	424	330	260	223	283	249	221	174	196
	10	654	527	157	1246	1364	24.8	44.9	336	434	334	259	224	288	254	226	175	197
NJT50	10	~	645	155	705	1742 ¹	31.4	46.1	393	570	461	318	267	387	341	303	209	235
	15	~	645	272	705	1859 ¹	32.4	45.0	408	639	496	318	272	426	376	333	213	240
MACZ-50	~	~	~	~	979	~	~	~	~	~	~	~	~	~	~	~	~	~
Horizontal Airflow																		
NJT30	5.0	567	490	110.2	1122	1184	36.4	44.3	332	328	260	264	224	221	195	173	175	197
	7.5	567	490	134	1122	1208	36.5	44.0	339	338	265	266	227	226	199	177	178	200
	10	567	490	150	1122	1224	36.6	43.8	345	344	268	268	230	230	202	180	180	203
NJT40	7.5	654	527	140.7	1246	1348	43.1	45.1	387	371	288	301	258	248	218	194	202	228
	10	654	527	156.9	1246	1364	43.2	44.9	392	378	291	303	261	251	221	196	204	230
NJT50	10	908.5	645	154.9	705	1742 ¹	52.1	46.1	446	517	418	361	303	351	309	275	237	267
	15	908.5	645	271.7	705	1859 ¹	52.5	45.0	480	567	440	373	320	378	333	296	250	282
MACZ-50	~	~	~	~	979	~	~	~	~	~	~	~	~	~	~	~	~	~

1. Operating weight includes NJT50 Airhandler and MACZ-50 Evaporator Coil Combined.

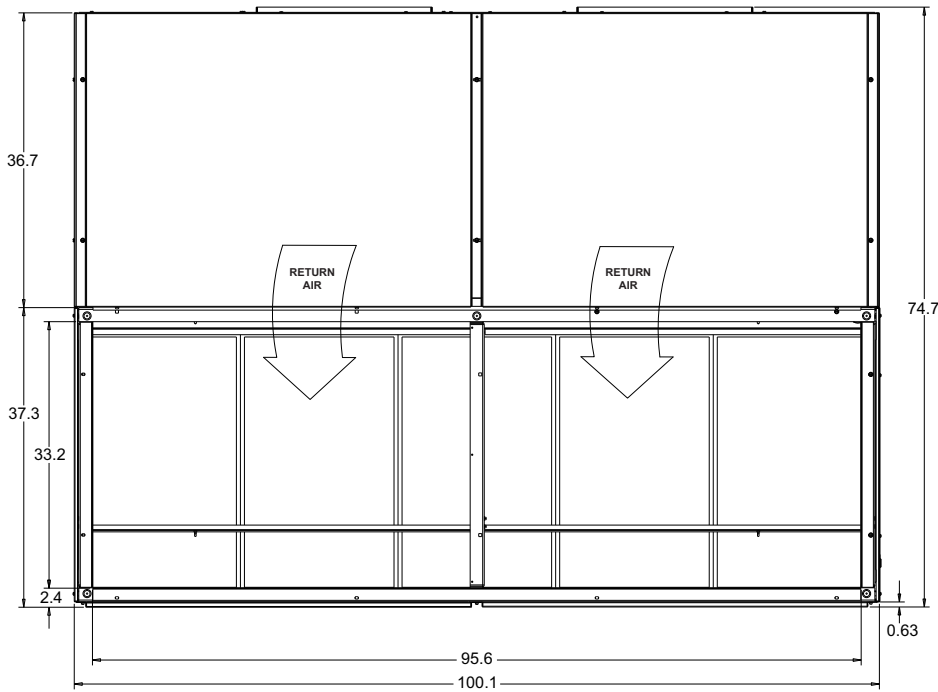


UNIT DIMENSIONS NJT30

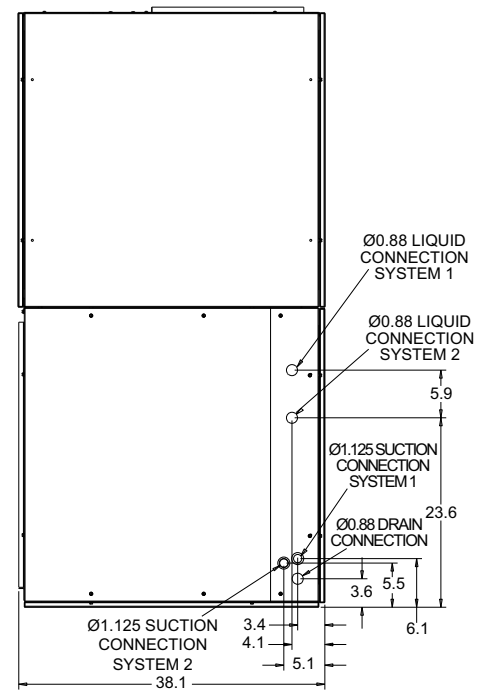
TOP



FRONT

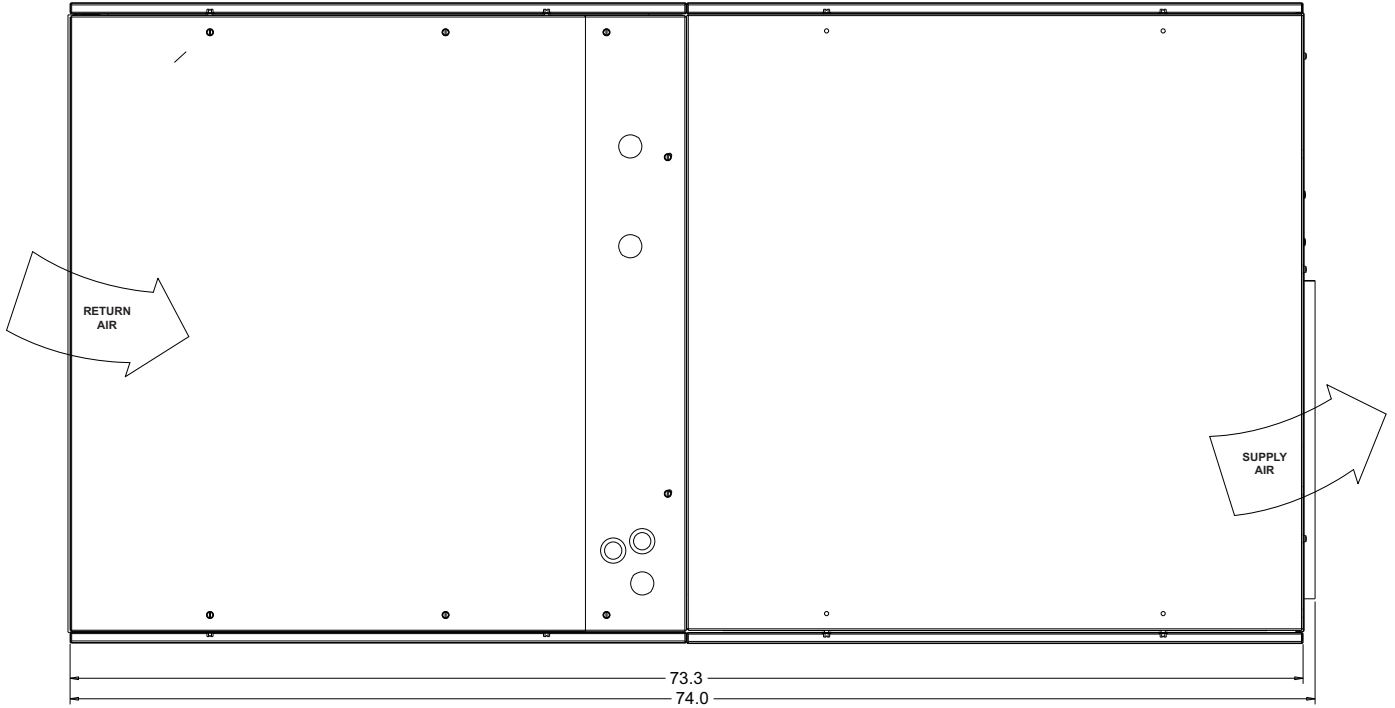


SIDE



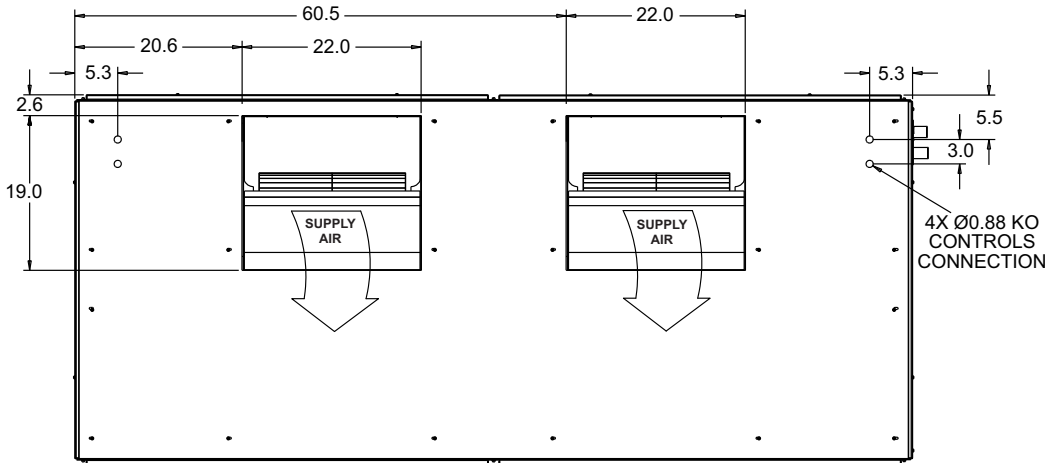
*SEE UNITS PHYSICAL DATA TABLE FOR PIPING AND ELECTRICAL SIZE CONNECTIONS ON PAGE 10

UNIT DIMENSIONS (CONT.)
NJT30
HORIZONTAL CONFIGURATION

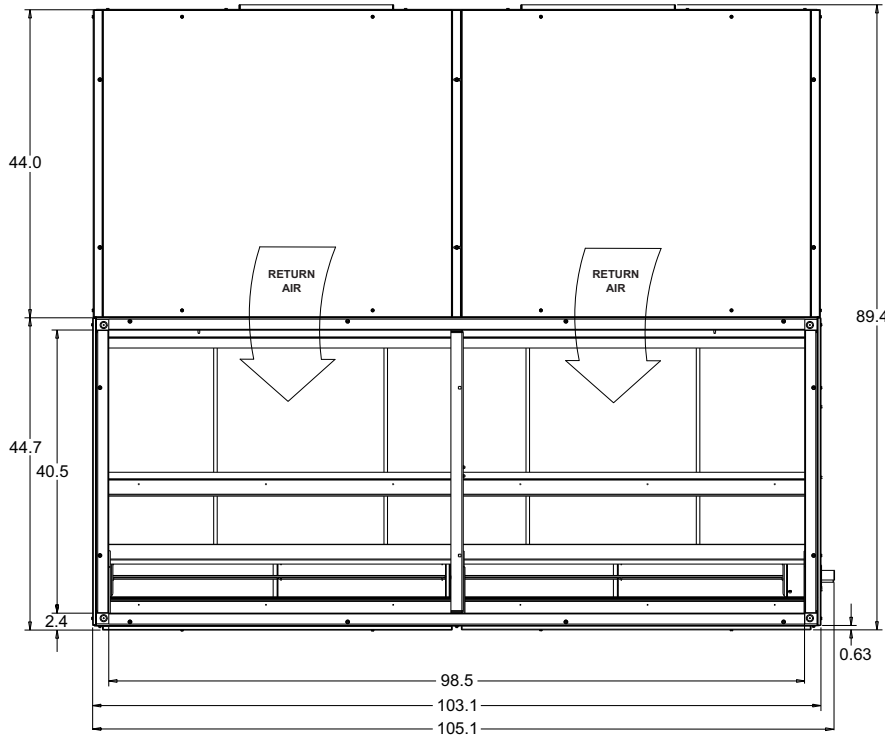


UNIT DIMENSIONS (CONT.) NJT40

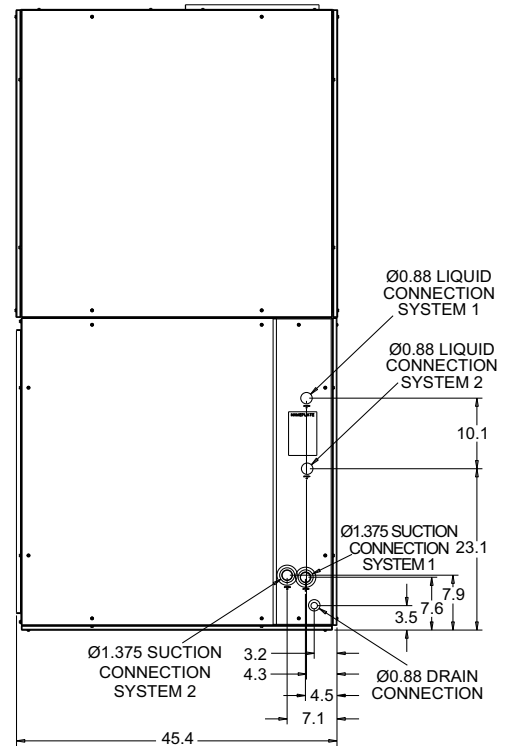
TOP



FRONT



SIDE

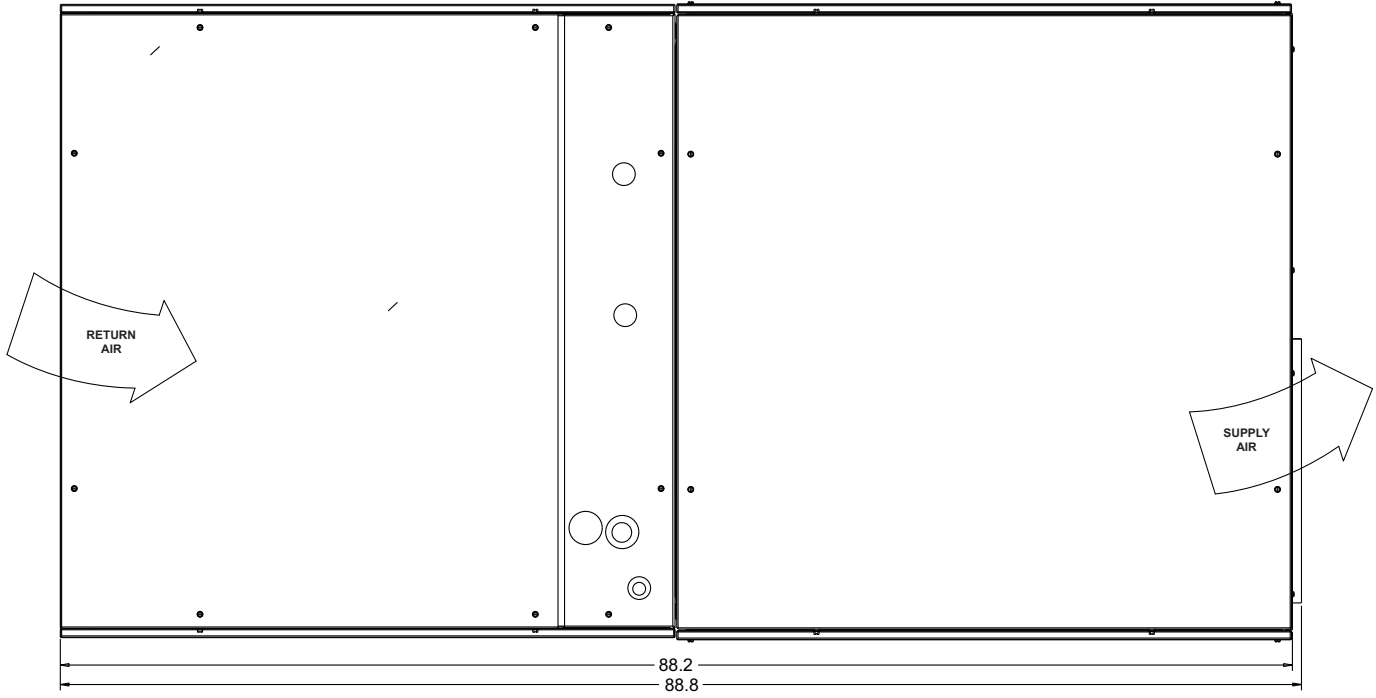


***SEE UNITS PHYSICAL DATA TABLE FOR PIPING AND ELECTRICAL SIZE CONNECTIONS ON PAGE 10**

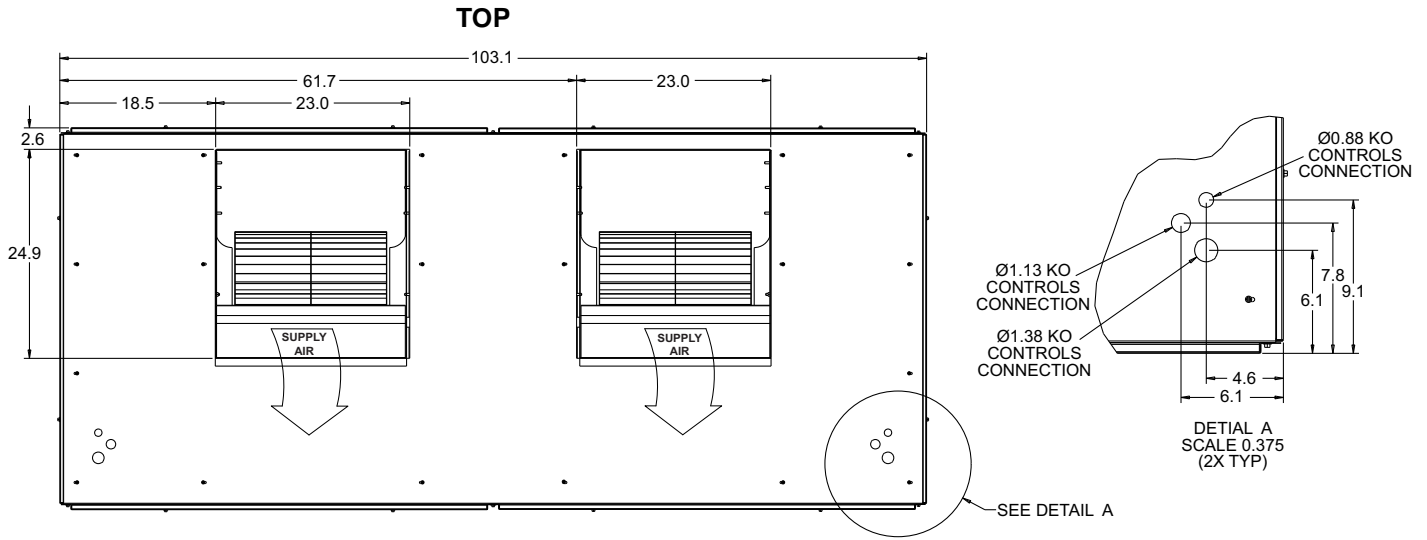
UNIT DIMENSIONS (CONT.)

NJT40

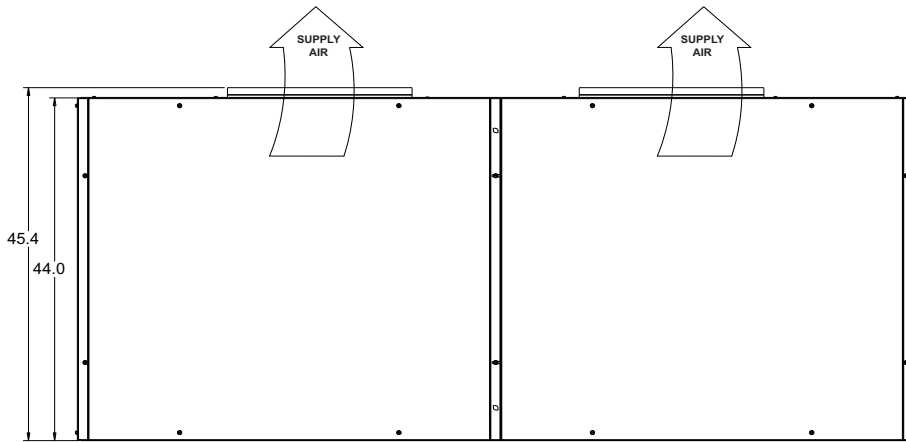
HORIZONTAL CONFIGURATION



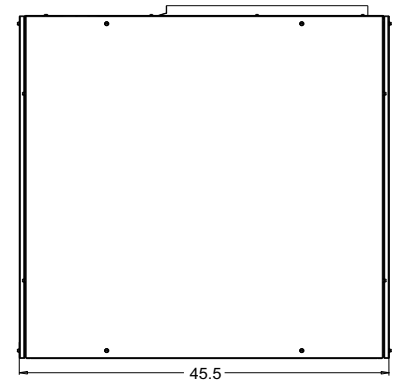
UNIT DIMENSIONS (CONT.) NJT50 AIR HANDLER NO EVAPORATOR COIL



FRONT



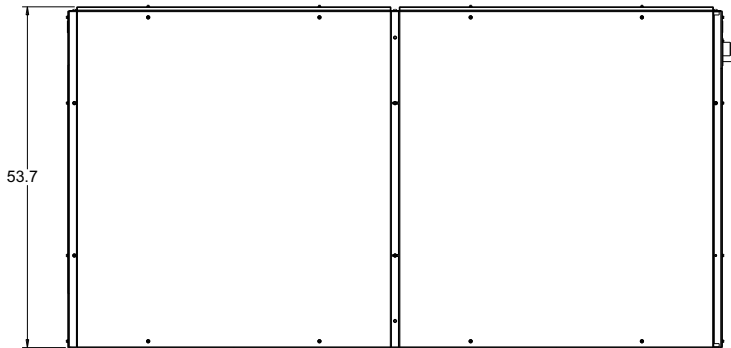
SIDE



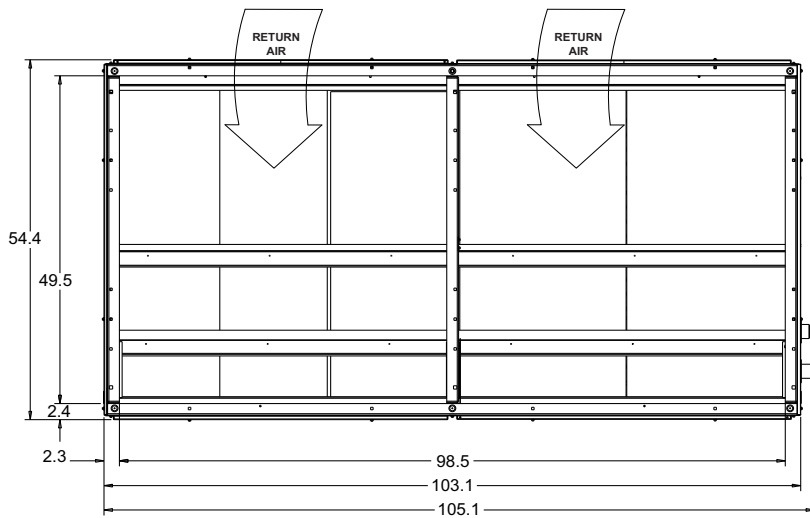
*SEE UNITS PHYSICAL DATA TABLE FOR PIPING AND ELECTRICAL SIZE CONNECTIONS ON PAGE 10

UNIT DIMENSIONS (CONT.) MACZ-50 EVAPORATOR COIL

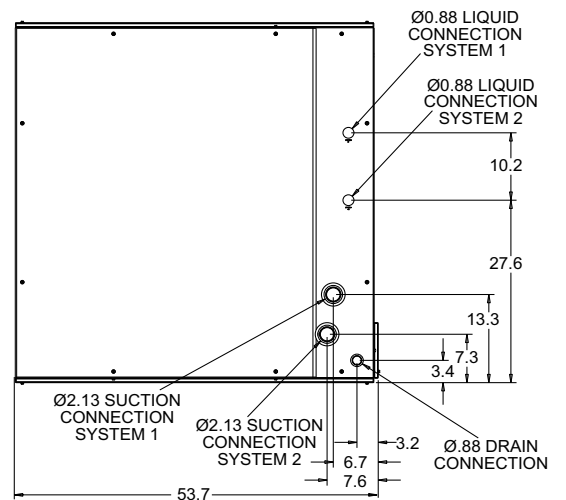
TOP



FRONT



SIDE

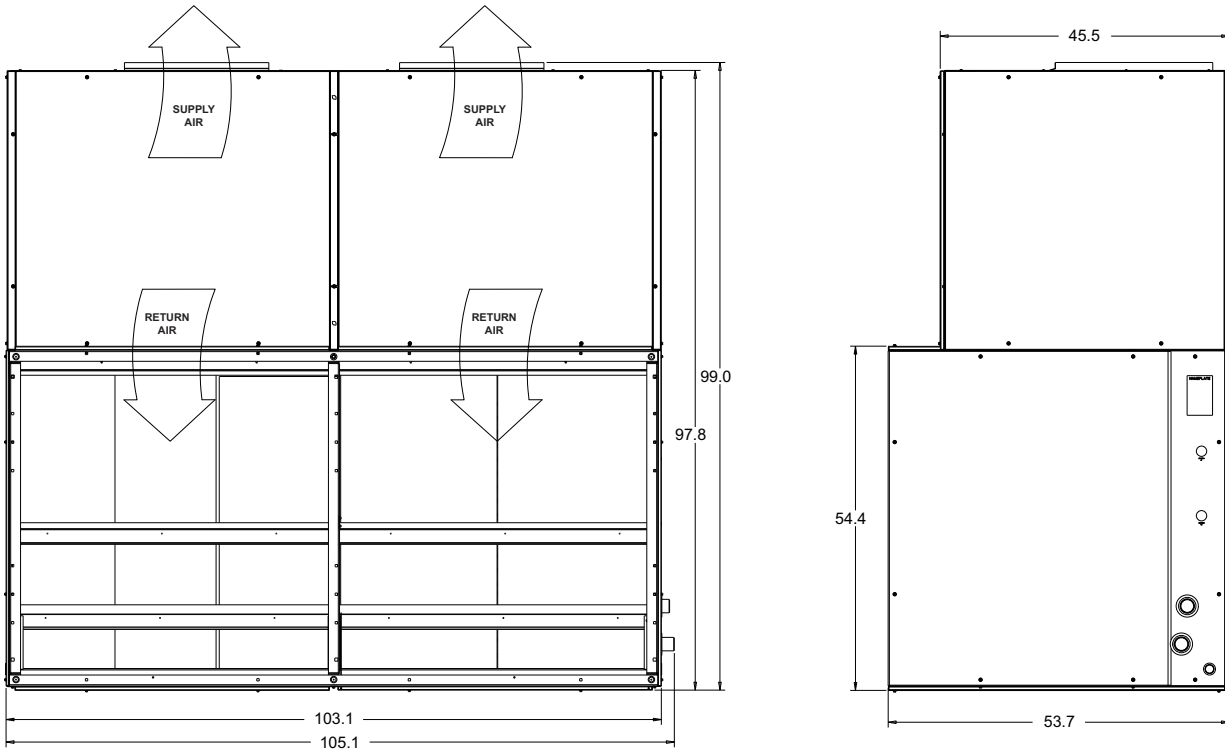


*SEE UNITS PHYSICAL DATA TABLE FOR PIPING AND ELECTRICAL SIZE CONNECTIONS ON PAGE 10

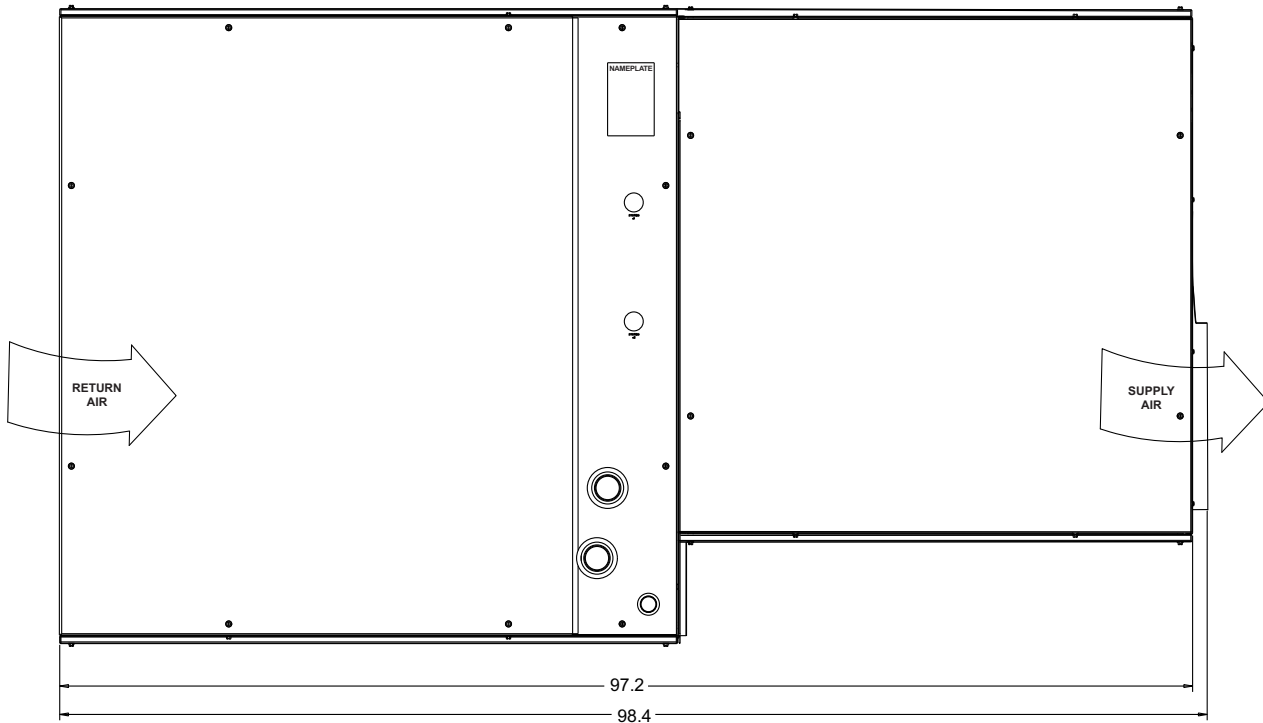
UNIT DIMENSIONS (CONT.) NJT50 AIRHANDLER & MACZ-50 EVAPORATOR COIL

FRONT

SIDE



HORIZONTAL CONFIGURATION



***SEE UNITS PHYSICAL DATA TABLE FOR PIPING AND ELECTRICAL SIZE CONNECTIONS ON PAGE 10**

Physical Data

Model	NJT30	NJT40	NJT50	MACZ-50
Dimensions (inches)				
Length	100.1	103.1	103.1	103.1
Width	38.1	45.4	45.5	53.7
Height	74.7	89.4	45.4	54.4
System Data				
No. Refrigeration Circuits	2	2		2
Suction Line OD (in.)	1 1/8	1 3/8	-	2 1/8
Liquid Line OD (in.)	7/8	7/8	-	7/8
Power Wiring Knockout	7/8	7/8	1 3/8	-
Control Wiring Knockout	7/8	7/8	7/8	-
Drain Line	7/8	7/8	-	7/8
Blower Outlet				
Number	2	2	2	-
Width	19.0	19.0	24.9	-
Length	22.0	22.0	23.0	-
Return Air Inlet				
Width	33.2	40.5	-	49.5
Length	95.6	98.5	-	98.5

Minimum Clearances

Top with Supply Air Opening ¹	24"
Front with Return Air Opening	24"
Right Side with access for Piping, Power & Control Wiring Connections ²	24"
Left Side	24"
Rear ³	N/A
Bottom ⁴	N/A

1. This dimension will vary if a supply air plenum or a base is used.
2. This dimension is required for normal installation and service.
3. Although no clearance is required for service and operation, some clearance may be required for routing the power and control wiring.
4. Allow enough clearance to trap the condensate drain line.

FIELD-INSTALLED ACCESSORIES

STEAM COIL MODEL	<input type="checkbox"/>
Steam Pressure	_____ PSIG
Capacity	_____ MBH
Steam Rate	_____ LBS/HR
Entering Air Temperature	_____ °F
HOT WATER COIL	<input type="checkbox"/>
Capacity	_____ MBH
Entering Water Temperature	_____ °F
Water Flow Rate	_____ GPM
Entering Air Temperature	_____ °F
Water Pressure Drop	_____ PSI
BASE ACCESSORY	<input type="checkbox"/>
SUSPENSION MOUNTING ACCESSORY	<input type="checkbox"/>
HOT GAS BYPASS ACCESSORY	<input type="checkbox"/>

FACTORY-INSTALLED OPTIONS

TECHNICOATED COIL	<input type="checkbox"/>
-------------------------	--------------------------

NOTES:

Subject to change without notice. Printed in U.S.A.
 Copyright © 2015 by Johnson Controls, Inc. All rights reserved.

5123385-TSD-A-0515
 Supersedes: Nothing

York International Corporation
 5005 York Drive
 Norman, OK 73069