

# SUBMITTAL DATA SHEET



## SPLIT-SYSTEM HEAT PUMP UNITS

7.5 - 20 TONS

MODELS: PHT07 thru T20, 2-PIPE  
PJT15 thru T20, 4-PIPE

JOB NAME:		LOCATION:		
PURCHASER:		ORDER NO:		
ENGINEER:				
SUBMITTED TO:	FOR:	REF:	APPROVAL:	CONSTRUCTION:
SUBMITTED BY:		DATE:		
UNIT DESIGNATION:		SCHEDULE NO.	MODEL NO.	

### COOLING PERFORMANCE

TOTAL CAPACITY----- MBH  
 OUTDOOR DESIGN TMP. .... °F  
 SUCTION PRESSURE AT SATURATION ----- PSIG  
 SUCTION TEMPERATURE AT SATURATION ----- °F

### HEATING PERFORMANCE

TOTAL CAPACITY----- MBH  
 MIN. OUTDOOR DESIGN TMP ---- °F DB  
 POWER INPUT REQ. .... KW

### ELECTRICAL DATA

POWER SUPPLY----- / /  
 TOTAL UNIT AMPACITY ----- AMPS  
 POWER INPUT REQ. .... KW  
 MINIMUM WIRE SIZE----- AWG  
 (COPPER CONDUCTORS)  
 MAXIMUM FUSE SIZE ----- AMPS  
 (DUAL ELEMENT)

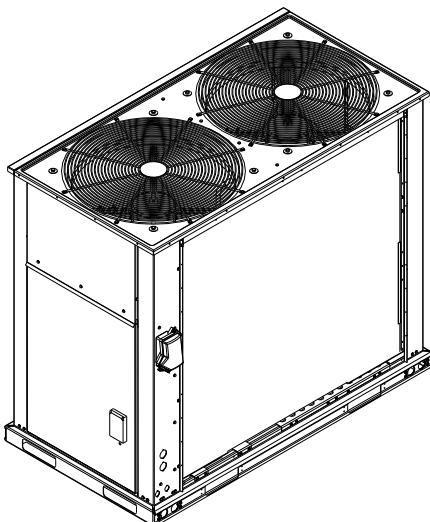
### UNIT WEIGHT

TOTAL OPERATING WEIGHT ----- LBS

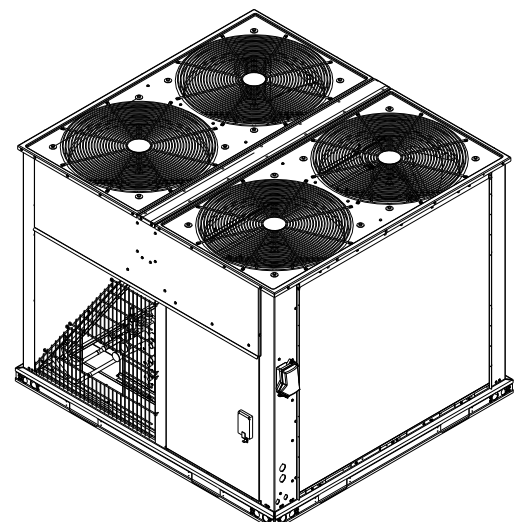
### FEATURES

- EXCEEDS ASHRAE 90.1-2004 / MEETS EPACT 2010 EFFICIENCY\*
- SIMPLICITY® SMART EQUIPMENT (SSE) W/COMMUNICATION BACNET MS/TP (PROGRAMMABLE TO MODBUS OR N2 PROTOCOLS)
- R-410A REFRIGERANT
- POWDER PAINT FOR DURABILITY
- WEATHERIZED CASING FOR OUTDOOR USE
- PROPELLER-TYPE CONDENSER FANS
- INHERENTLY PROTECTED FAN MOTORS
- HIGH AND LOW PRESSURE SAFETIES
- SCROLL COMPRESSORS
- CRANKCASE HEATERS & REFRIGERANT ACCUMULATORS
- BACKSEATING SUCTION AND LIQUID LINE SERVICE VALVES
- SINGLE AND DUAL REFRIGERATION CIRCUITS (SINGLE ON PH AND DUAL ON PJ MODELS)
- PROVISIONS FOR HOT GAS BYPASS
- CSA APPROVAL
- ONE YEAR LIMITED PARTS WARRANTY ON COMPLETE UNIT
- FIVE YEAR LIMITED COMPRESSOR WARRANTY
- LIQUID LINE DRIERS (SUPPLIED FOR FIELD INSTALLATION)
- FACTORY INSTALLED DISCONNECT OPTION
- FACTORY INSTALLED POWERED OR NON-POWERED 120V OUTLET OPTION
- FULL PERIMETER BASE RAIL-FORK TRUCK ACCESSIBLE
- CRANE RIGGING PROVISIONS

\*WHEN COUPLED WITH MATCHING INDOOR UNIT



PHT07, PHT10

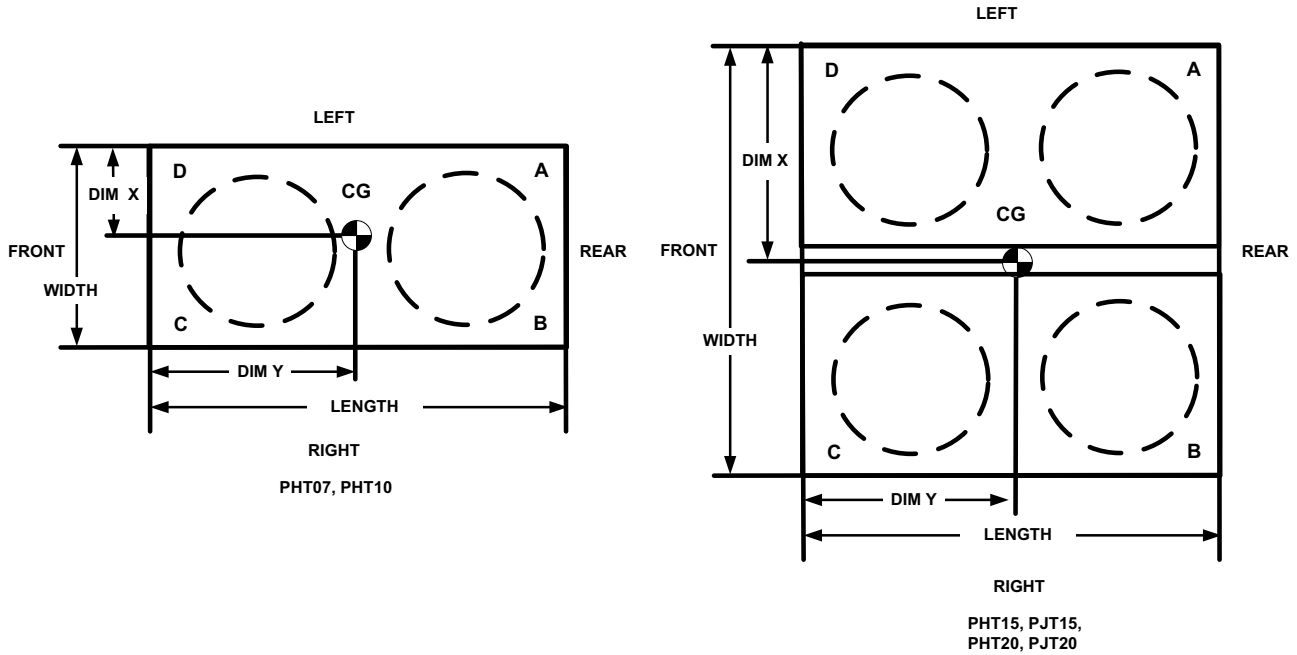


PHT15, PJT15,  
PHT20, PJT20

## WEIGHT DISTRIBUTION

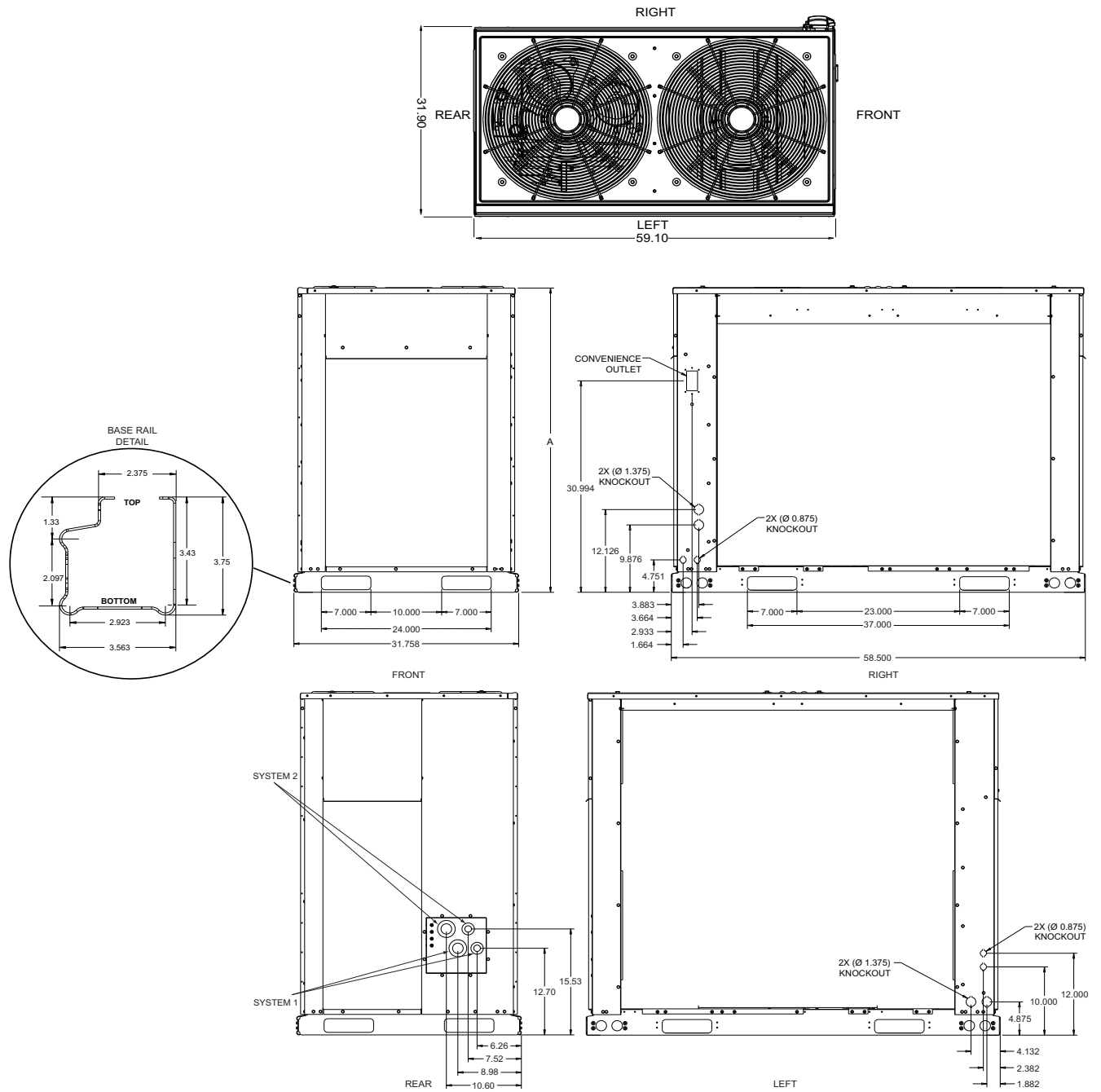
### CORNER WEIGHTS & CENTER OF GRAVITY

Model	Weight (lbs.)		Center of Gravity (in.)		4 Point Load Location (lbs.)			
	Shipping	Operating	X	Y	A	B	C	D
PHT07	421	430	17.3	33	110	130	103	87
PHT10	543	574	16.4	32.3	153	161	134	127
PHT15	947	968	32.5	33	266	274	217	211
PJT15	921	942	34	32.5	243	275	225	199
PHT20	1116	1152	32.1	30.8	300	301	276	275
PJT20	1090	1126	31.2	31.8	311	295	253	267



UNIT DIMENSIONS

PHT07 & PHT10



**\*See UNIT HEIGHT DIMENSIONS, PIPING AND ELECTRICAL CONNECTIONS SIZES (next page)**

**UNIT HEIGHT DIMENSIONS (INCHES)**

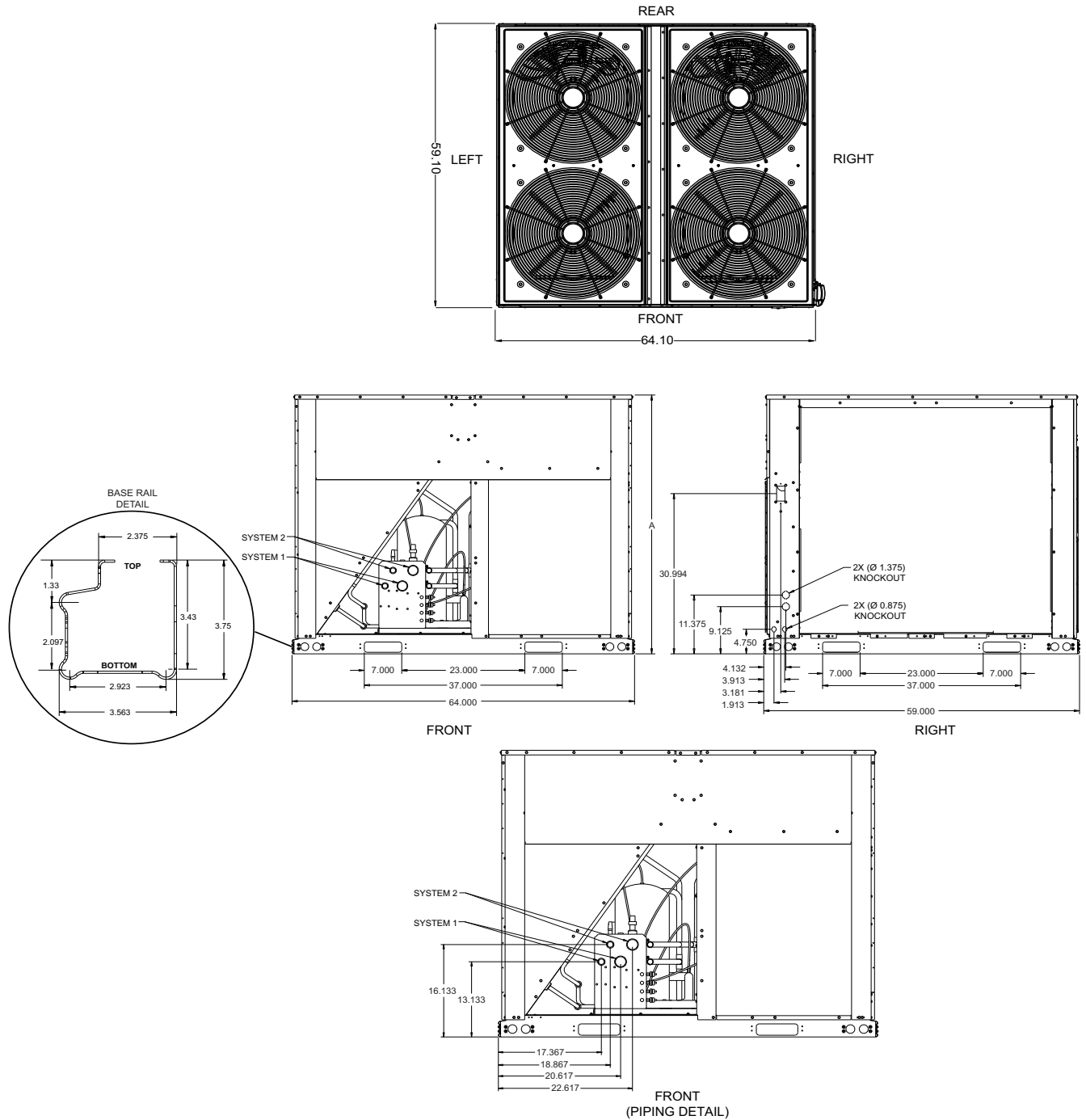
<b>MODEL</b>	<b>A</b>
<b>PHT07</b>	44.5
<b>PHT10</b>	50.0

**PIPING AND ELECTRICAL CONNECTIONS SIZES (INCHES)**

<b>MODEL</b>	<b>PHT07</b>	<b>PHT10</b>
<b>No. Refrigeration Circuits</b>	1	1
<b>Suction Line OD (in.)</b>	1 1/8	1 3/8
<b>Liquid Line OD (in.)</b>	5/8	7/8
<b>Power Wiring Knockout</b>	1 3/8	1 3/8
<b>Control Wiring Knockout</b>	7/8	7/8

## UNIT DIMENSIONS

### PH/PJT15 & PH/PJT20



**\*See UNIT HEIGHT DIMENSIONS, PIPING AND ELECTRICAL CONNECTIONS SIZES (next page)**

**UNIT HEIGHT DIMENSIONS (INCHES)**

MODEL	A
PHT15	44.5
PJT15	44.5
PHT20	50.0
PJT20	50.0

**PIPING AND ELECTRICAL CONNECTIONS SIZES (INCHES)**

MODEL	PHT15	PJT15	PHT20	PJT20
No. Refrigeration Circuits	1	2	1	2
Suction Line OD (in.)	1 5/8	1 3/8	1 5/8	1 3/8
Liquid Line OD (in.)	7/8	5/8	7/8	5/8
Power Wiring Knockout	1 3/8	1 3/8	1 3/8	1 3/8
Control Wiring Knockout	7/8	7/8	7/8	7/8

**MINIMUM CLEARANCES**

CLEARANCE DESCRIPTION	DISTANCE IN INCHES
Overhead (Top)	120
Front	36
Rear	36
Left Side	30
Right Side	30
Bottom <sup>1</sup>	0

1. In all installations where snow accumulates and winter operation is expected, additional height must be provided to insure normal condenser airflow.

**FACTORY-INSTALLED OPTIONS**

- DISCONNECT -----
- NON-POWERED CONV. OUTLET-----
- POWERED CONV. OUTLET -----
- PHASE MONITOR -----
- COIL GUARD -----
- TECHNICOATED COIL-----
- E-COAT COIL -----

**FIELD-INSTALLED ACCESSORIES**

- COIL GUARD -----
- HAIL GUARD -----
- HOT GAS BYPASS KIT-----

**MATCHING AIR SIDE EQUIPMENT DATA**

MODEL NUMBER \_\_\_\_\_  
 SUBMITTAL FORM NUMBER \_\_\_\_\_

**REFER TO UNIT TECHNICAL GUIDE FOR THE LIST OF STANDARD FEATURES**

**ATTACHED**  **NOT ATTACHED**

**NOTES:**

---



---



---



---



---

Subject to change without notice. Printed in U.S.A.  
 Copyright © 2015 by Johnson Controls, Inc. All rights reserved.

5123381-TSD-A-0515  
 Supersedes: Nothing

**York International Corporation**  
**5005 York Drive**  
**Norman, OK 73069**