

# SUBMITTAL DATA SHEET



**GAS/ELECTRIC & ELECTRIC/ELECTRIC  
SINGLE PACKAGE AIR CONDITIONERS**

**MODELS: ZDT03, T04 & T05  
ZST03, T04, T05 & TA6**

JOB NAME:			LOCATION:		
PURCHASER:			ORDER NO:		
ENGINEER:					
SUBMITTED TO:		FOR:	REF:	APPROVAL:	CONSTRUCTION:
SUBMITTED BY:			DATE:		
UNIT DESIGNATION:			SCHEDULE NO.	MODEL NO.	

**COOLING PERFORMANCE**

TOTAL CAPACITY----- MBH  
 SENSIBLE CAPACITY----- MBH  
 OUTDOOR DESIGN TMP. \_\_\_\_\_ °F DB/WB  
 TOTAL SUPPLY AIR----- CFM  
 TEMP. OF AIR ENTERING  
 EVAPORATOR COIL----- °F  
 POWER INPUT REQ.----- KW  
 (LESS BLOWER MOTOR)

**HEATING PERFORMANCE**

ELECTRIC HEAT----- KW  
 GAS-FIRED INPUT-CAP.----- MBH

**SUPPLY AIR BLOWER PERFORMANCE**

TOTAL SUPPLY AIR----- CFM  
 EXT. STATIC PRESS.----- IWG  
 BLOWER SPEED----- RPM  
 POWER OUTPUT REQ.----- BHP  
 MOTOR RATING----- HP  
 POWER INPUT REQ.----- KW

**ELECTRICAL DATA**

POWER SUPPLY-----  
 TOTAL UNIT AMPACITY----- AMPS  
 MAX. OVERCURRENT DEVICE  
 \_ FUSE \_ BREAKER----- AMPS

**TOTAL UNIT WEIGHT**

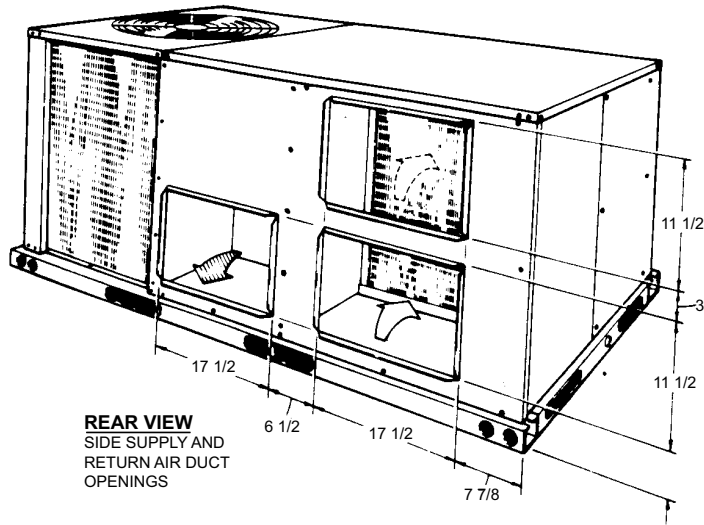
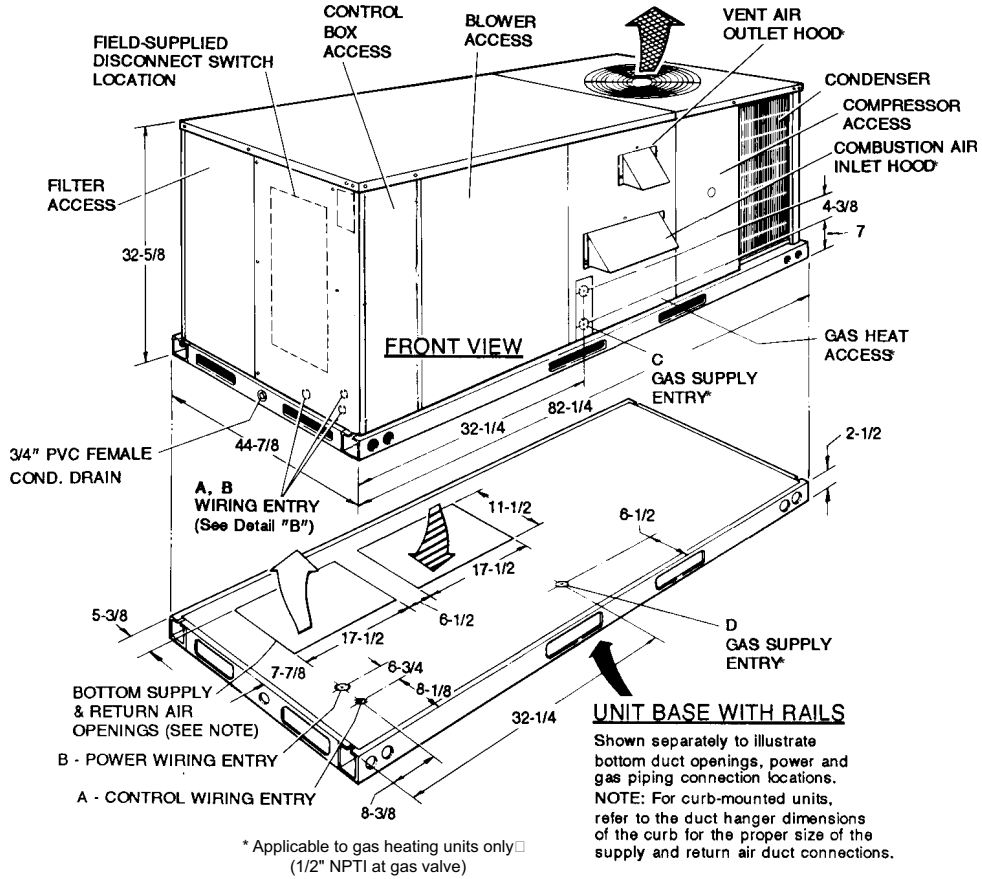
INCLUDING FACTORY- INSTALLED  
 OPTIONS----- LBS

**FACTORY INSTALLED OPTIONS**

- OUTDOOR DRY BULB SENSOR ECONOMIZERS-----
- MOTORIZED OUTDOOR AIR INTAKE DAMPER-----
- PHENOLIC COATED EVAPORATOR COILS-----
- PHENOLIC COATED CONDENSER COILS-----
- E-COAT EVAPORATOR COILS-----
- E-COAT CONDENSER COILS-----
- ELECTRIC HEATERS-----
- FILTER (2" PLEATED FILTERS, MERV 7)-----
- POWERED CONVENIENCE OUTLET-----
- NON-POWERED CONVENIENCE OUTLET-----
- DISCONNECT SWITCH-----
- BAS - (BUILDING AUTOMATION SYSTEMS)-----
- Simplicity® Smart Equipment (SSE) w/Communication-----
- BACnet MS/TP (programmable to Modbus or N2 protocols)-----
- Honeywell™-----
- Novar®-----
- CPC-----
- SMOKE DETECTOR (RETURN)-----
- SMOKE DETECTOR (SUPPLY)-----
- COIL GUARD-----
- STAINLESS STEEL HEAT EXCHANGER-----
- STAINLESS STEEL DRAIN PAN-----
- BAS READY ECONOMIZER (2-10 V.D.C. ACTUATOR WITHOUT  
A CONTROLLER)-----
- AIR PROVING SWITCH-----
- PHASE MONITOR-----
- BELT DRIVE-----
- BELT DRIVE (HIGH STATIC)-----
- DIRECT DRIVE-----
- DIRTY FILTER SWITCH-----
- HINGED TOOLLESS FILTER, MOTOR AND ELECTRICAL ACCESS  
PANELS-----

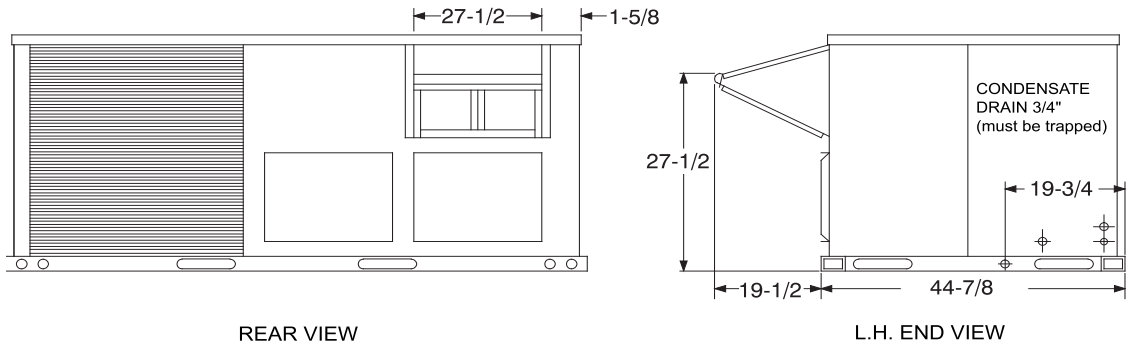
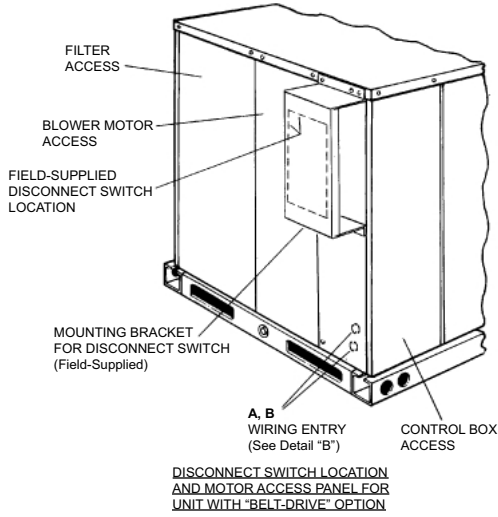
**FIELD INSTALLED ACCESSORIES**

- ENTHALPY ACCESSORY CONTROL KIT (SINGLE OR DUAL)-----
- MOTORIZED OUTDOOR AIR INTAKE DAMPER-----
- ROOF CURBS-----
- HIGH ALTITUDE NATURAL GAS-----
- PROPANE CONVERSION-----
- HIGH ALTITUDE PROPANE-----
- BAROMETRIC RELIEF DAMPER-----
- BURGLAR BARS-----
- FLUE EXHAUST EXTENSION KIT-----
- CO2 SENSOR, UNIT MOUNT-----
- CO2 SENSOR, SPACE MOUNT-----
- DIRTY FILTER SWITCH-----
- AIR PROVING SWITCH-----
- POWER EXHAUST-----
- ELECTRIC HEAT-----
- LOW NOx KIT-----
- COIL GUARDS-----
- HAIL GUARDS-----
- LOW AMBIENT KIT (Except 6 Ton Cooling Only with & without Electric Heat)-----
- GAS PIPING KIT-----
- WALL MOUNT TEMPERATURE SENSOR-----
- WALL MOUNT TEMPERATURE SENSOR WITH/OVERRIDE-----
- WALL MOUNT TEMPERATURE SENSOR WITH  
OVERRIDE & SET POINT ADJ.-----
- HUMIDITY SE NSOR-----

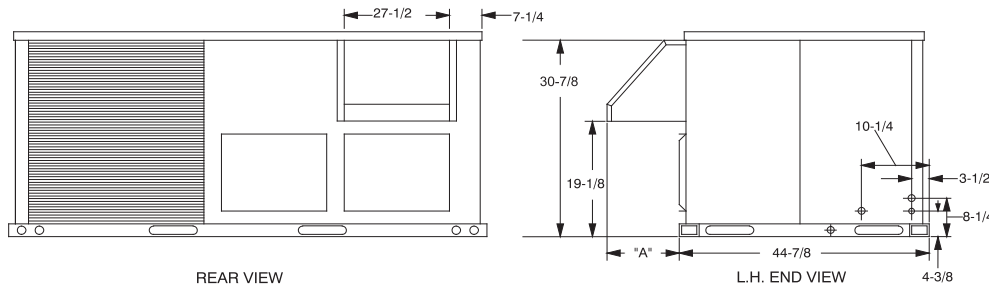


**UTILITIES ENTRY DATA**

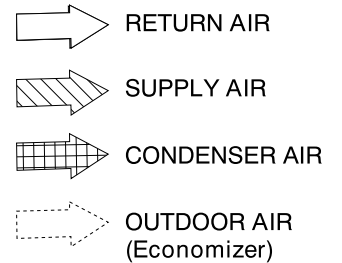
HOLE	KNOCKOUT SIZE (DIA.)	USED FOR
A	7/8"	Control Wiring (Side or Bottom)
B	2"	Power Wiring (Side or Bottom)
C	1-5/8"	Gas Piping (Front)
D	1-1/2"	Gas Piping (Bottom)



**DETAIL "A"**  
**UNIT WITH ECONOMIZER RAINHOOD**



**DETAIL "B"**  
**UNIT WITH FIXED OUTDOOR AIR/MOTORIZED DAMPER RAINHOOD**



DIMENSION "A"	
FIXED OUTDOOR AIR DAMPER	12
MOTORIZED DAMPER	16-1/2

## MINIMUM CLEARANCES

LOCATION	CLEARANCE
Front	24" (Cooling/Electric Heat) 32" (Gas Heat)
Rear	12" (Less Economizer) 36" (With Economizer or Fixed Air/Motorized Damper)
Left Side (Filter Access)	24" (Less Economizer) 36" (With Economizer)
Right Side (Cond. Coil)	24"
Below Unit <sup>1</sup>	0"
Above Unit <sup>2</sup>	72" (For Condenser Air Discharge)

1. Units may be installed on combustible floors made from wood or class A, B, or C roof covering material.
2. Units must be installed outdoors. Overhanging structures or shrubs should not obstruct condenser air discharge outlet.

**NOTE:** A 1" clearance must be provided between any combustible material and the supply air ductwork for a distance of 3 feet from the unit.

**NOTE:** The products of combustion must not be allowed to accumulate within a confined space and recirculate.

**NOTE:** Locate unit so that the vent air outlet hood is at least:

- Three (3) feet above any force air inlet located within 10 horizontal feet (excluding those integral to the unit).
- Four (4) feet below, four horizontal feet from, or one foot above any door or gravity air inlet into the building.
- Four (4) feet from electric and gas meters, regulators and relief equipment.

**NOTE:** Units and ductwork are approved for zero clearance to combustible materials when equipped with electric heaters.

**NOTE:** All entry holes should be field sealed to prevent rain water entry into building.

## REFER TO THE TECHNICAL GUIDE FOR THE LIST OF STANDARD FEATURES

ATTACHED  NOT ATTACHED